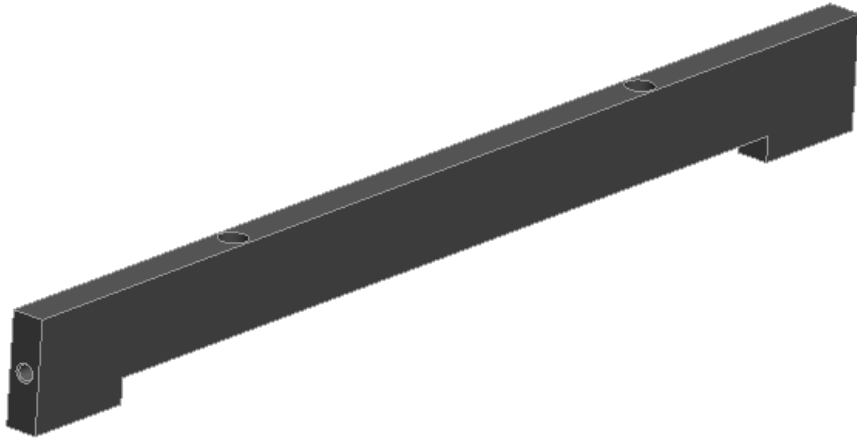
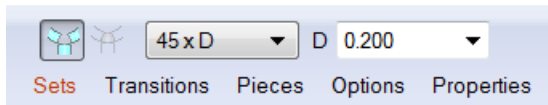


Chamfer: Starting and Ending at a Specified Distance.

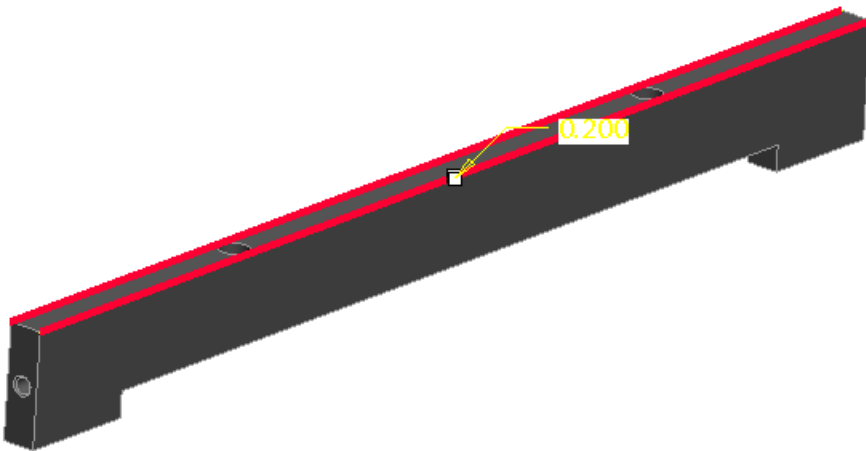


Select:  Edge Chamfer

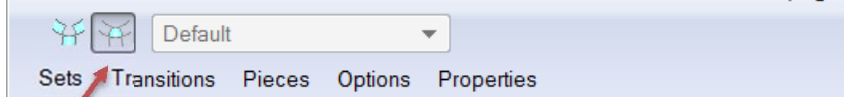
Enter settings

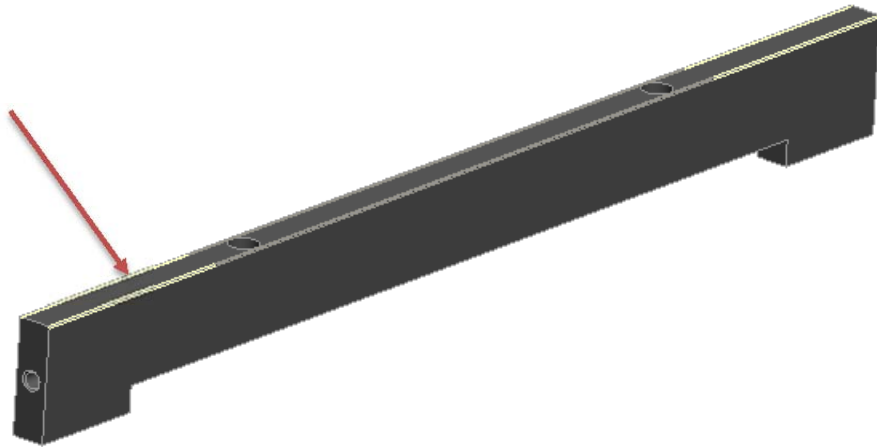


Select edges



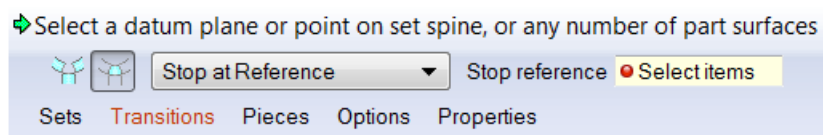
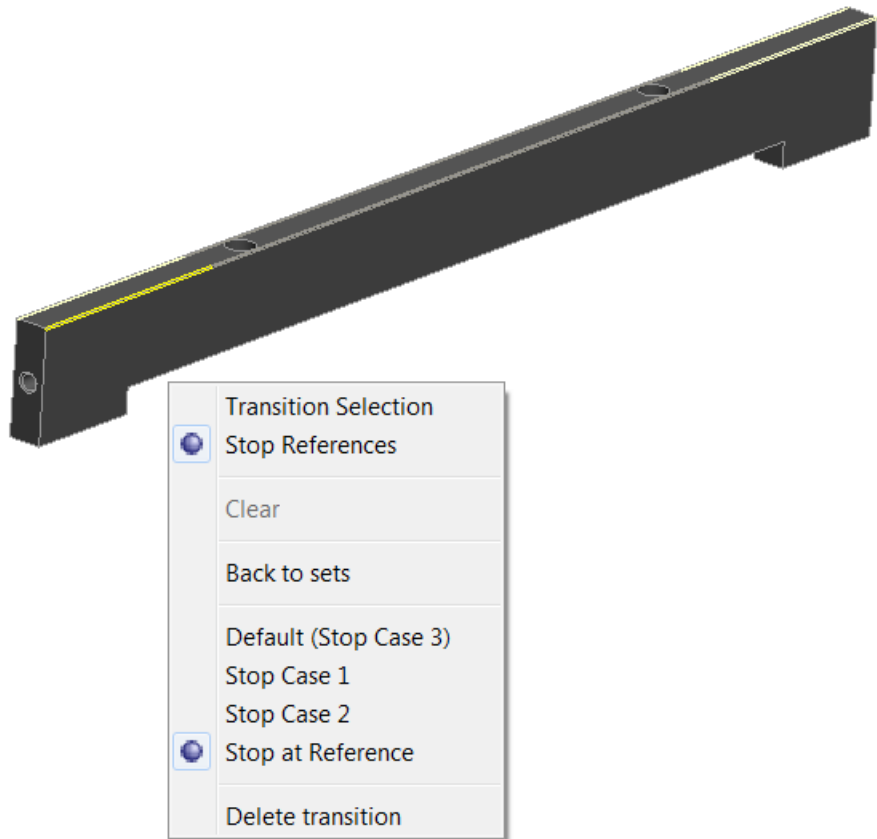
Select transition on the screen or in Transitions list from the Transitions page





Select one of the yellow chamfer boxes. Then RMB (Right Mouse Button) to activate the menu.

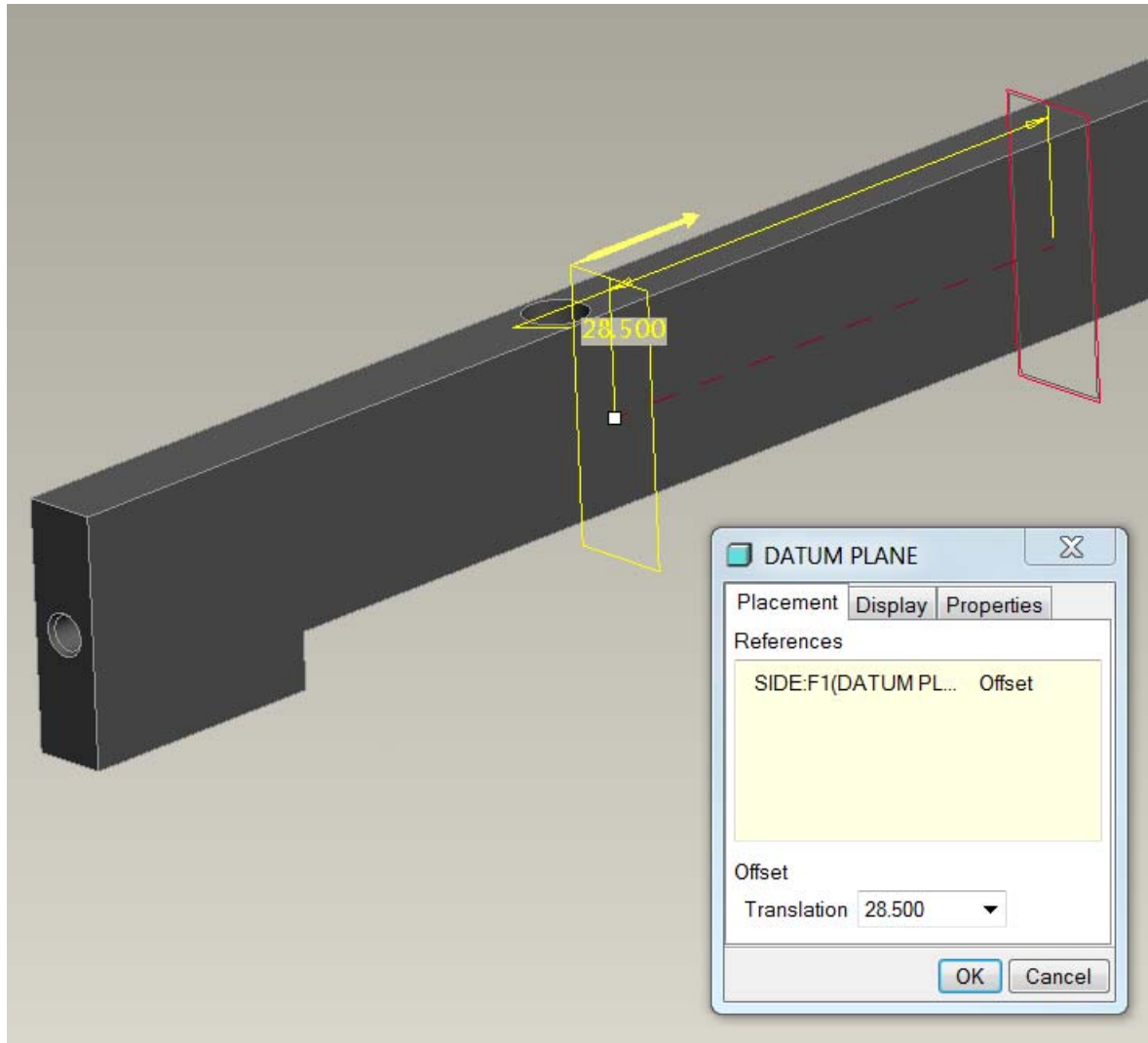
Select: Stop at Reference



Show datum plane SIDE, or the datum plane you want to offset from.

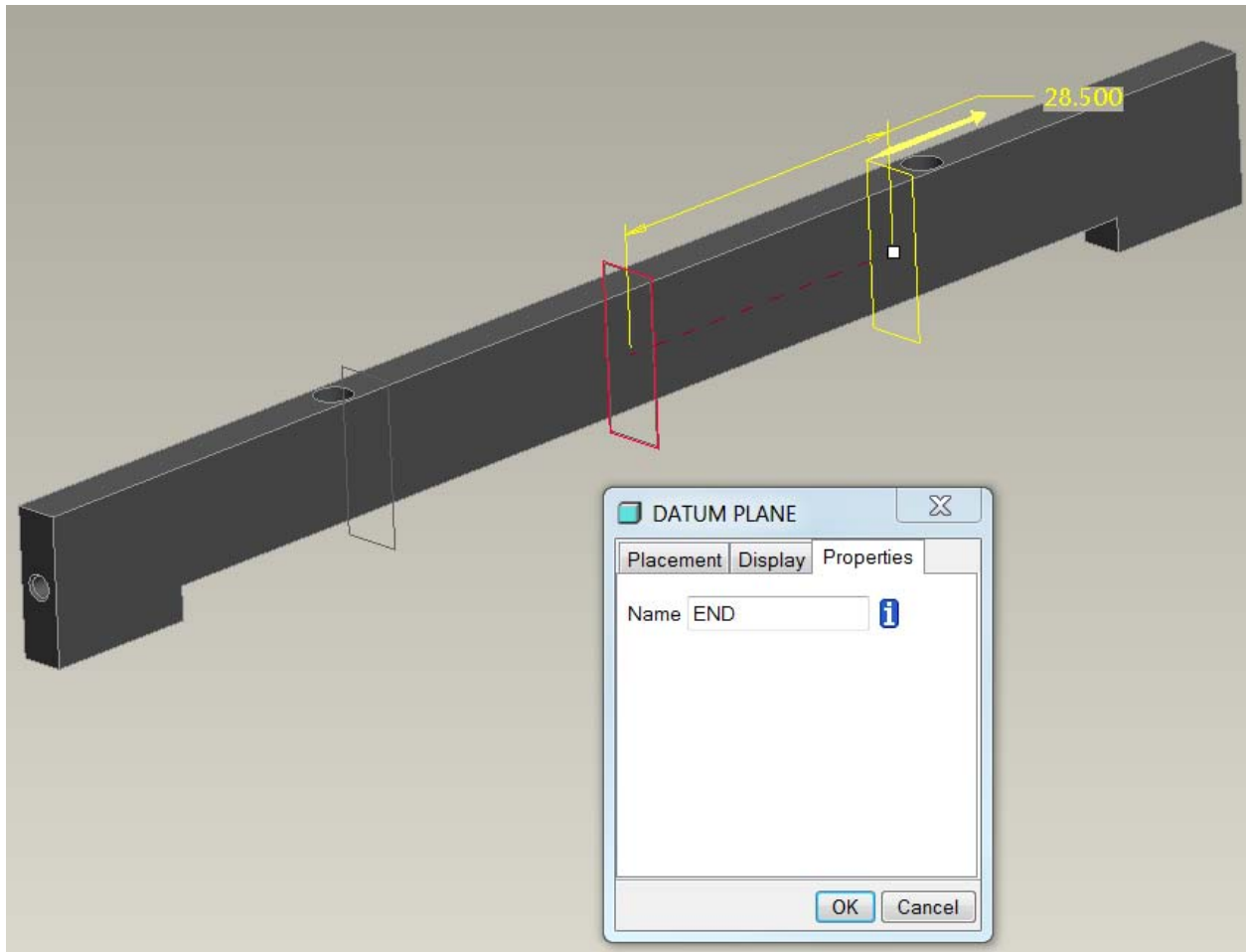
Create the reference datum plane at the offset distance required, for both Start and End distances.

 Plane, Datum Plane Tool



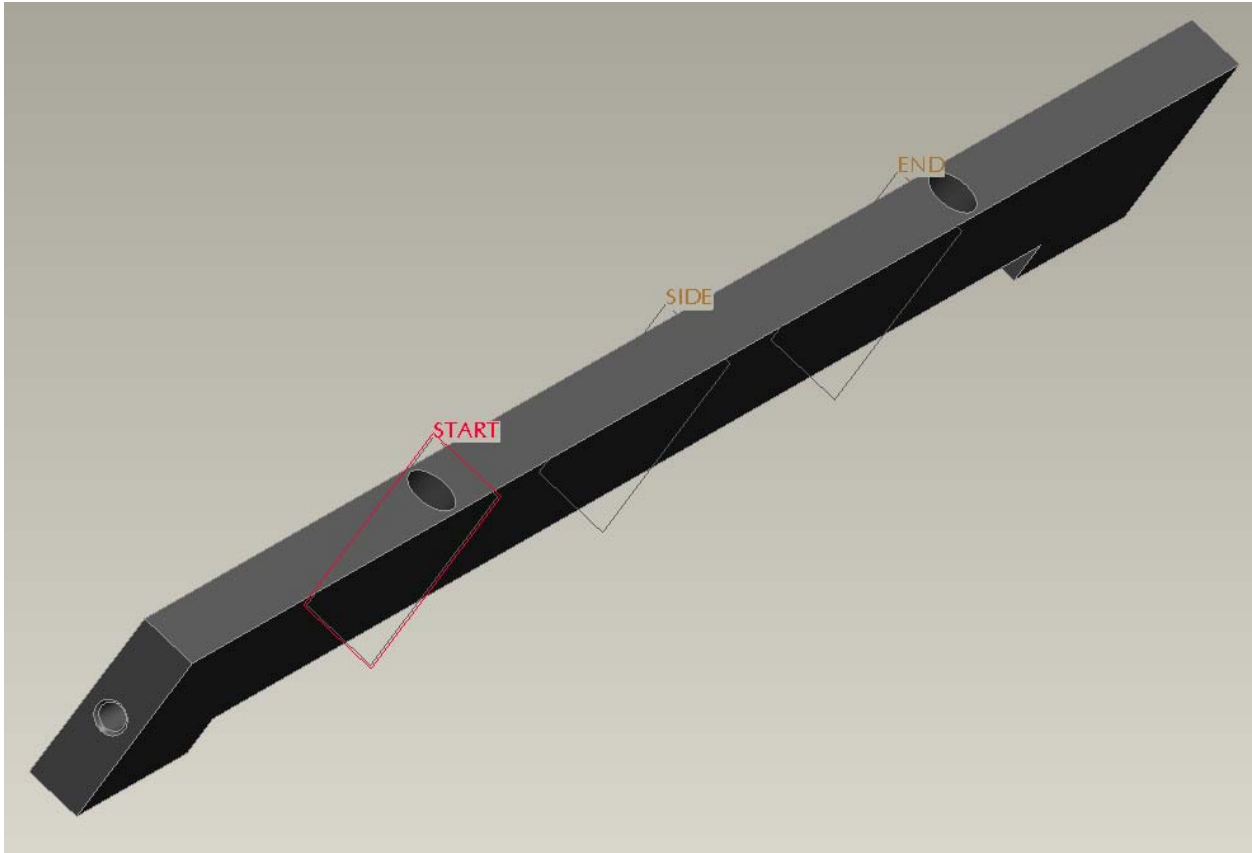
Name the START and END datum planes.

The datum planes will be embedded in the Chamfer feature after the completion of the chamfer.

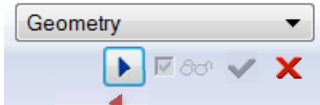


Click OK to create the datum planes.

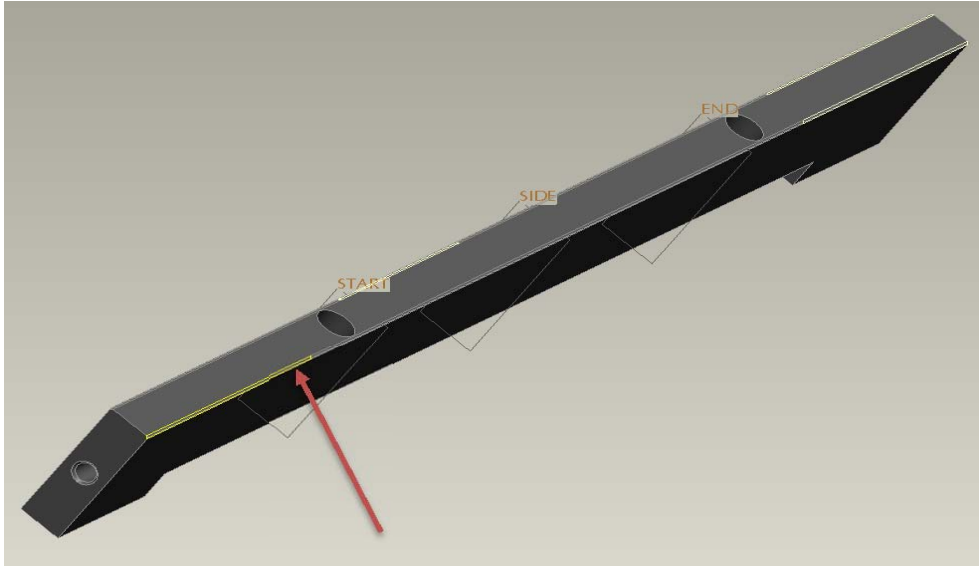
Select the START datum plane.



Resume the chamfer command.

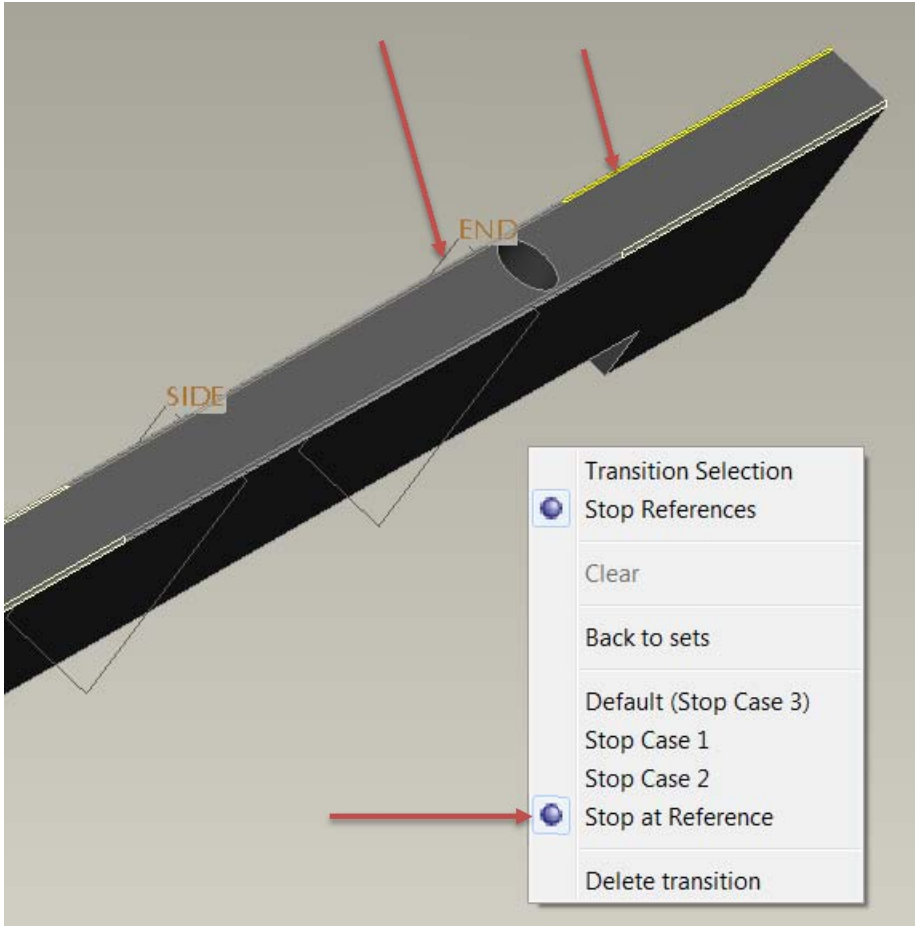


Select the 2nd Highlighted Yellow chamfer box. Then RMB (Right Mouse Button) to activate the menu.



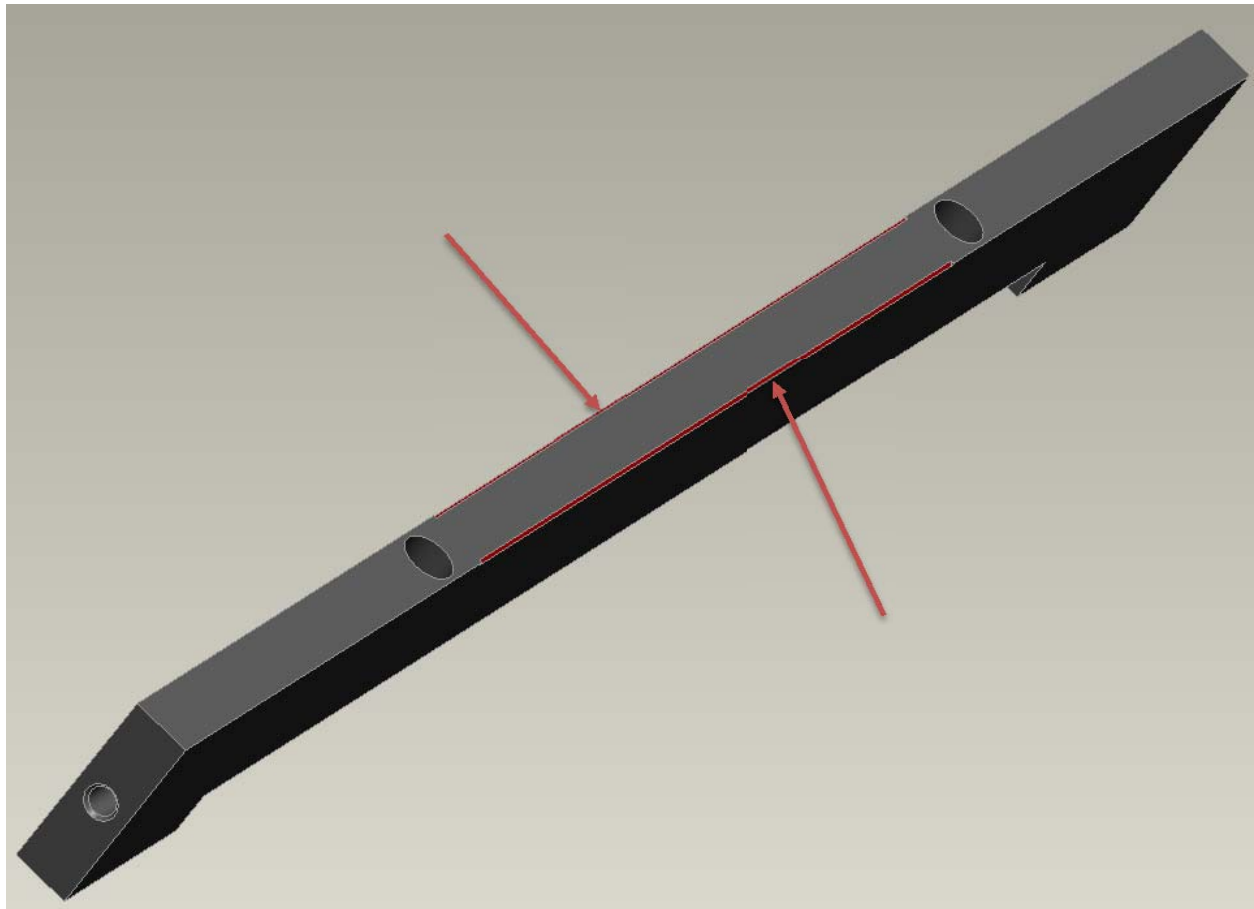
Then select the START datum plane.

Repeat the process for the END side of the chamfer.





PREVIEW to see if this is the intended chamfer. If all is good click the Green check mark.



Mission accomplished: A chamfer STARTING and ENDING at a specified and modifiable location.